

# 4-10014/10016 Ultra Slim 4, 6 & 2x6LED Warning Lights



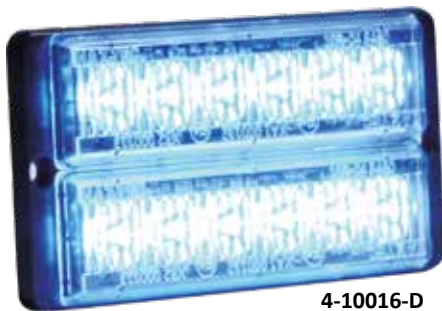
**HAZTEC**  
GLOBAL WARNING

- Ultra thin - just 10mm deep - no need to cut holes in bodywork
- Single or split colours with separate switching option on split colour versions
- Built-in flasher with up to 27 patterns
- Cruise mode - constant low level illumination
- Night dim mode
- Multiple units can be synchronised
- E marked stop/tail/turn and reversing lights also available

**5 YEAR WARRANTY**



**SINGLE OR  
SPLIT COLOURS**



4-10016-D



4-10014

**3W LEDs**



4-10016

- Split colour versions feature 2 + 2 LEDs (4-10014) or 3 + 3LEDs (4-10016) - each colour can alternate or be independently controlled
- The 4-10016-D dual module version can be alternating or independently switched

**Mounting:**

- Wide choice of mounting options including surface, L bracket or roof housing. See page 20 for screen/deck mounted versions

**Voltage - suitable for 12 or 24V operation:**

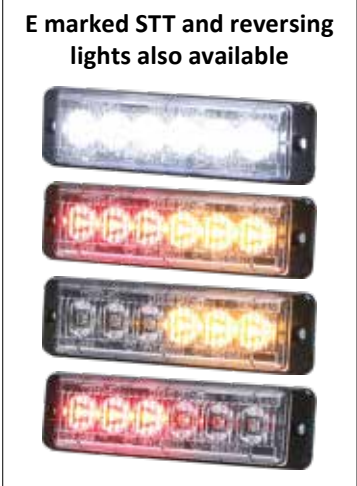
- 4-10014: 10-30VDC supply
- 4-10016: 10-40VDC supply

**R65 certifications:**

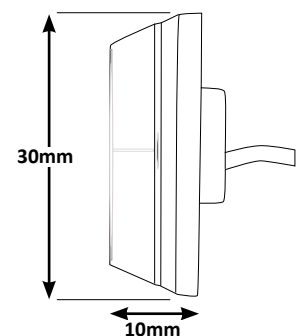
- 4-10016 and 4-10016-D: Class 1 amber, Class 2 blue, Class 2 red

**E mark certifications:**

- R6 Turn, R7 Stop/Tail & R23 Reversing lights



Number of LEDs	4	6	2 x 6
Dimensions (mm)	92L x 30H x 10D	124L x 30H x 10D	124L x 60H x 10D
Supply voltage (DC)	10-30	10-40	10-40
<b>Order code</b>			
Amber	4-10014-A	4-10016-EA	4-10016-D-EAA
Blue	4-10014-B	4-10016-EB	4-10016-D-EBB
Blue/red (split colour)	4-10014-BR	4-10016-BR	4-10016-D-EBR
Blue/white (split colour)	4-10014-BW	4-10016-BW	4-10016-D-EBW
Amber/blue (split colour)	4-10014-AB	4-10016-AB	4-10016-D-EAEB
Red	4-10014-R	4-10016-ER	4-10016-D-ER
White	4-10014-W	4-10016-W	4-10016-D-W
Green	4-10014-G	4-10016-G	4-10016-D-G
Other amber, blue, green, red or white colour combinations available			
<b>E marked lights</b>			
R6/R7 Stop/Tail/Turn light		4-10016-STT	
R23 reversing light		4-10016-REV	
<b>Mounting options</b>			
4-10033	Optional L mounting bracket for 4-10016 (see page 3 for image)		
4-10036	Roof mounted housing for 4-10016 (see page 3 for image)		



**SEE PAGE  
20**

Screen and deck mount versions available

