

LED SCENELITE S17



1560 lumens; > 620 lux @ 1 metre



Unique curved light projections covering over 30m²



Solid aluminium casting



Multi-voltage (10-32V)



Waterproof to IP67



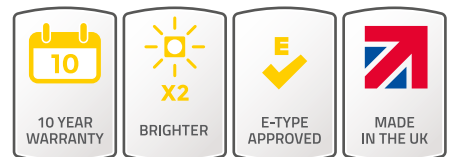
E-type approved



TECHNICAL SPECS OVERLEAF 
MARCH 2017



DESIGNED FOR MULTI-SECTOR APPLICATIONS



LED SCENELITE SI7

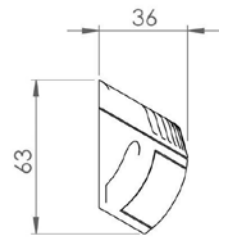
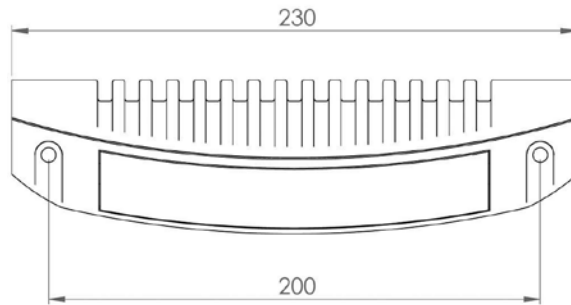
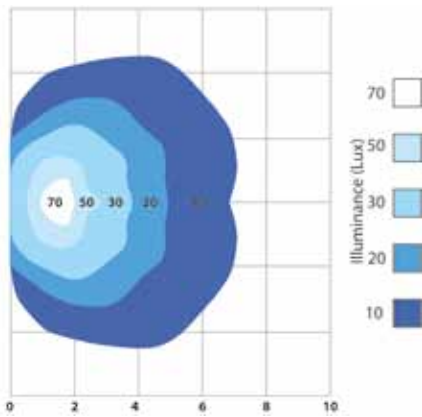
1560 lumens output - Using the very best high output Cree LED technology, the SI7 Scenelite produces 1420 lumens and over 620 lux @ 1 metre.

Unique curved PCB - By pre-bending the aluminium PCB, the LEDs provide improved light distribution for a safer working environment.

Solid aluminium casting - This gives a robust product and ensures the LEDs run as cool as possible for longer life.

Waterproof to IP67 - The tough outer enclosure and potting over more sensitive components provides protection against severe weather conditions and pressure washing.

Available in BLACK (SI7_5-3MV), WHITE (SI7_5-3MVWH), RED RAL3000 (SI7_5-3MVRED) & YELLOW RAL1016 (SI7_5-3MVY).



SI7_5-3MVWH



SI7_5-3MVRED



SI7_5-3MVY



SPECIFICATION

ALL DIMENSIONS HAVE A TOLERANCE OF +/-1mm

		SI7_5-3MV (12V)	SI7_5-3MV (24V)
Voltage Range	VDC	10-32	10-32
Average Current	A	1.25	0.6
Light Output	lm	1560	1560
Watts	W	12.5W	12.5W
Weight	kg	0.3	0.3
Temp. Range	°C	-30 to +40	-30 to +40
IP Rating	IP	IP67	IP67

E & OE

