

# 3800 LED

- full LED combination drive light
- ECE homologated
- 5 functions integrated
- easy one to one halogen replacement



**ABL**

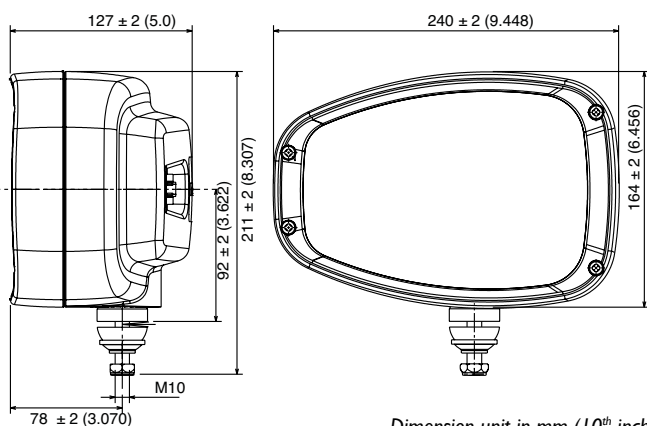
**OE Approved**  
Heavy Duty Lighting Product



# 3800 LED

The 3800 LED combination drive light is an ECE approved full LED product designed for on-road and off-road vehicles. Along with numerous mounting operations, the high vibration performance of this full LED combination light allows industrial vehicles to endure extreme working conditions with virtual-free maintenance for their homologated driving lights package.

## Dimensions



Dimension unit in mm (10<sup>th</sup> inch)



## Specifications

Bulb	full LED modules
Lifetime	20 000 hours
Color temperature	6000°K
ECE Homologation RHT / LHT	Regulation R112, R7, R6
SAE/DOT Homologation	FMVSS 108, SAE J1383, SAE J588, SAE J222
Voltage	Multi 12-24V
Consumption Low / High Beam	48W / 50W @ 24V
Consumption Turn signal / Pilot light	3,8W / 1,2W @ 24V
Intensity Low / High Beam	2,0 Amp / 2,1 Amp @ 24V
Intensity Turn signal / Pilot light	0,2 Amp / 0,05 Amp @ 24V
Turn signal high consumption	flashing module optional for 12V and 24V
Weight	1,95 Kg
Vibration resistance	15 Grms from 24 to 2000Hz
Shock resistance	60G
EMC	ISO 13 766 - ISO 14 982 - ISO 12 895 - CISPR25 Class3
Load Dump	36V continuous 58V 300 ms 1800 V 50 µs
Polarity	protected against reverse voltage
Electronic Thermal Management	protected against over heating
Water Tightness	IP 68 - IP 69K
Operating Temp	-40°C to +85°C
Salt Spray	ISO 9227
Lens	hardened glass
Reflector	free form reflectors and aspherical lenses modules
Warranty	20 000 operating hours or 4 years

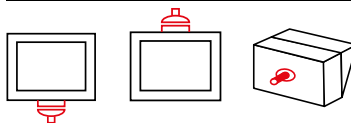
## Connection



Built-in DT  
6 ways

Cable  
compression seal  
PG 1

## Mounting



Pedestal swivel

Suspended swivel

Rear Swivel