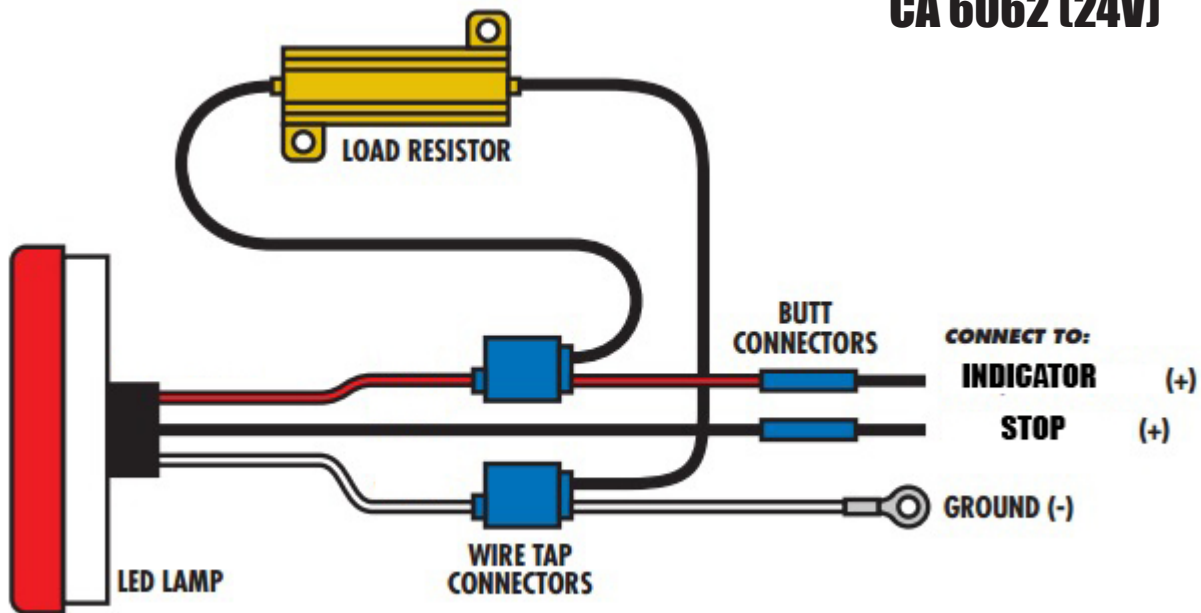


Load Resistor Instructions

CA 6061 (12V)
CA 6062 (24V)



Insert Wires, squeeze with pliers to snap, splice tap shut - Do not cut your vehicle Wires

WARNING

Load Resistors get very hot. DO NOT let them touch wires, carpet, plastic, or any other object that could melt